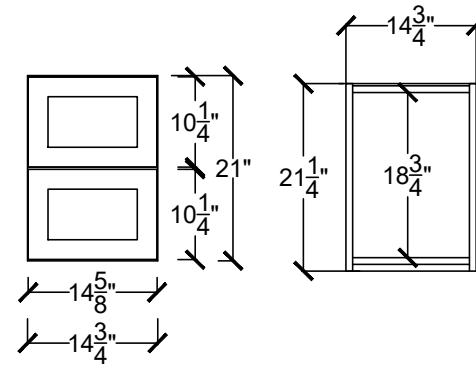
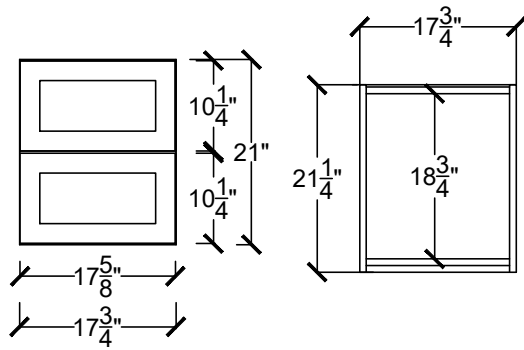


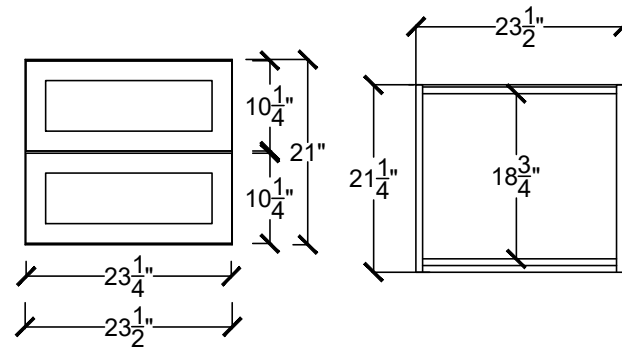
BROS 2D 12 - \_\_\_\_\_ - \_\_\_\_\_ - \_\_\_\_\_



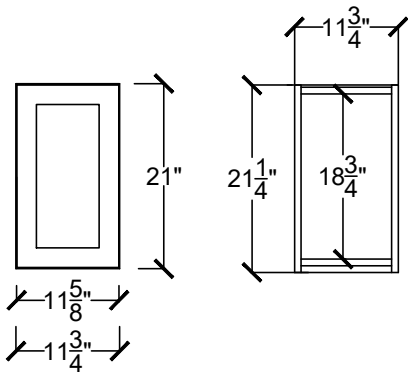
BROS 2D 15 - \_\_\_\_\_ - \_\_\_\_\_ - \_\_\_\_\_



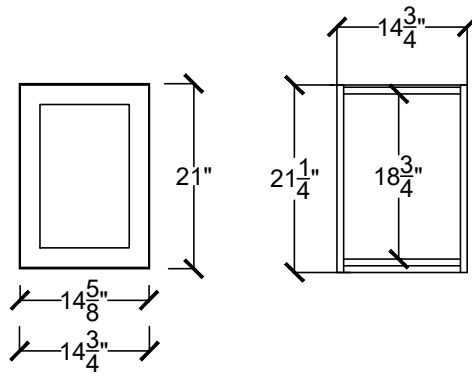
BROS 2D 18 - \_\_\_\_\_ - \_\_\_\_\_ - \_\_\_\_\_



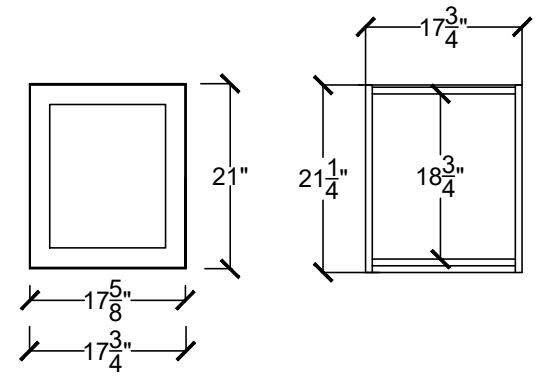
BROS 2D 24 - \_\_\_\_\_ - \_\_\_\_\_ - \_\_\_\_\_



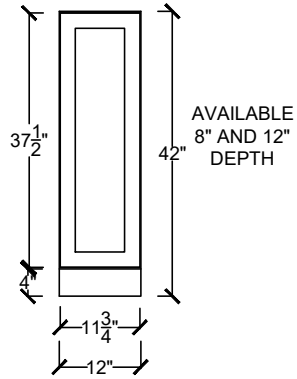
BROS 12 - \_\_\_\_\_ - \_\_\_\_\_ - \_\_\_\_\_



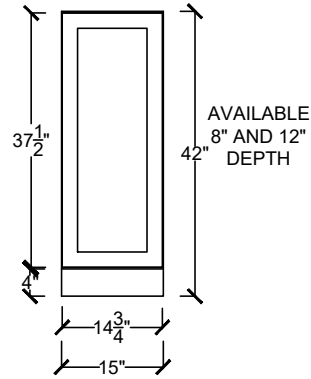
BROS 15 - \_\_\_\_\_ - \_\_\_\_\_ - \_\_\_\_\_



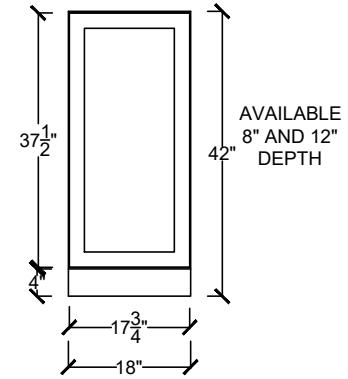
BROS 18 - \_\_\_\_\_ - \_\_\_\_\_ - \_\_\_\_\_



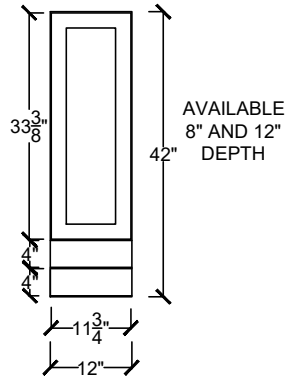
BROWS 1D 12 - - -



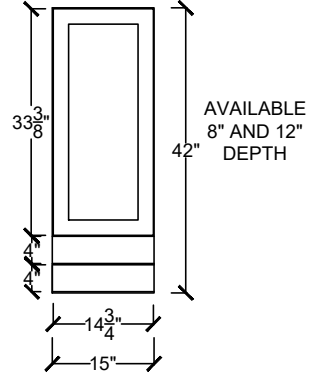
BROWS 1D 15 - - -



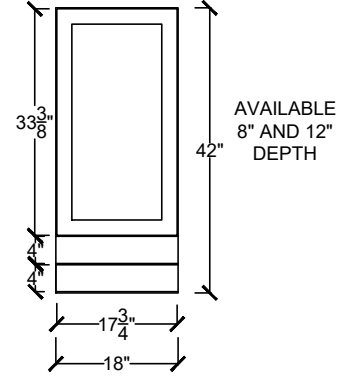
BROWS 1D 18 - - -



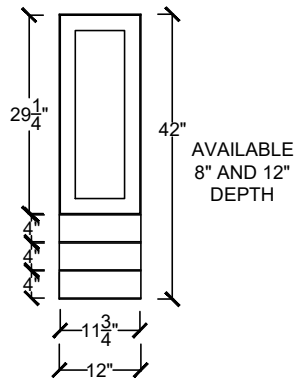
BROWS 2D 12 - - -



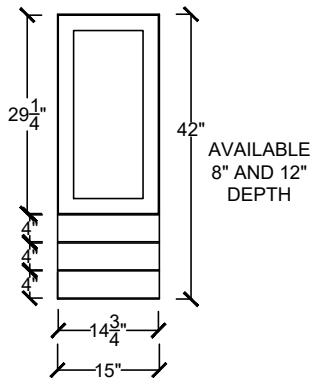
BROWS 2D 15 - - -



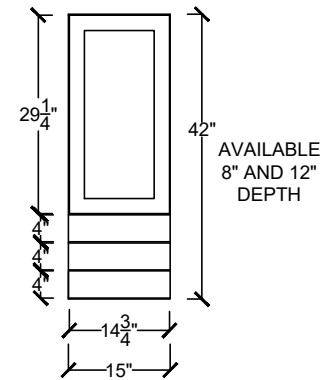
BROWS 2D 18 - - -



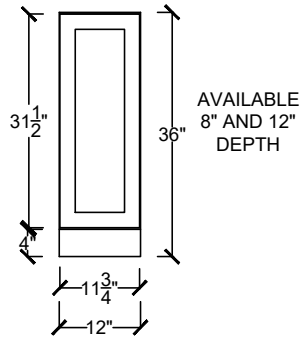
BROWS 3D 12 - - -



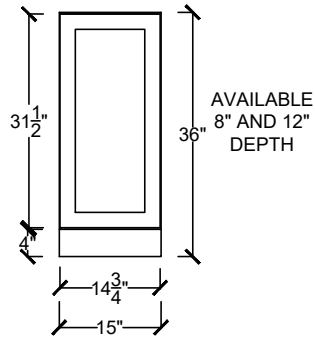
BROWS 3D 15 - - -



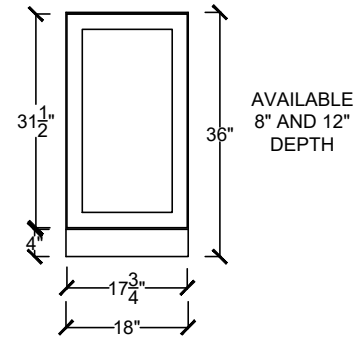
BROWS 3D 18 - - -



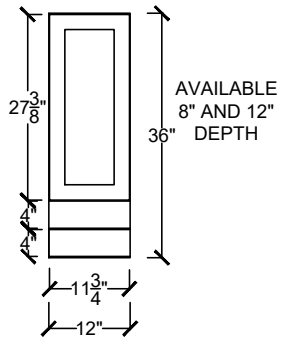
BROWC 1D 12 - - - - -



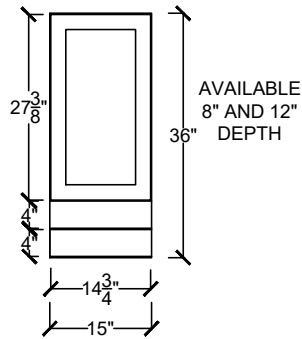
BROWC 1D 15 - - - - -



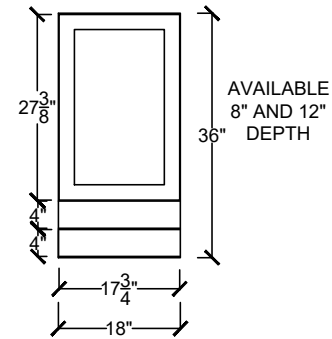
BROWC 1D 18 - - - - -



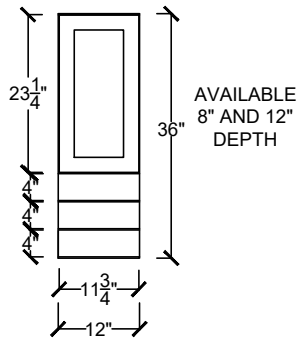
BROWC 2D 12 - - - - -



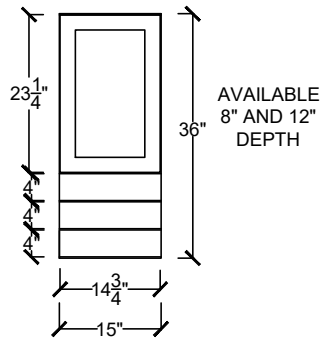
BROWC 2D 15 - - - - -



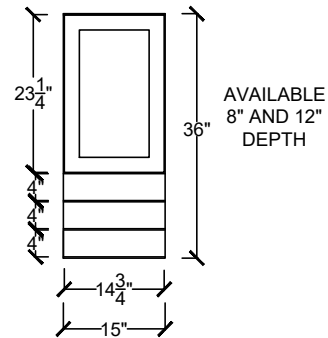
BROWC 2D 18 - - - - -



BROWC 3D 12 - - - - -



BROWC 3D 15 - - - - -



BROWC 3D 18 - - - - -